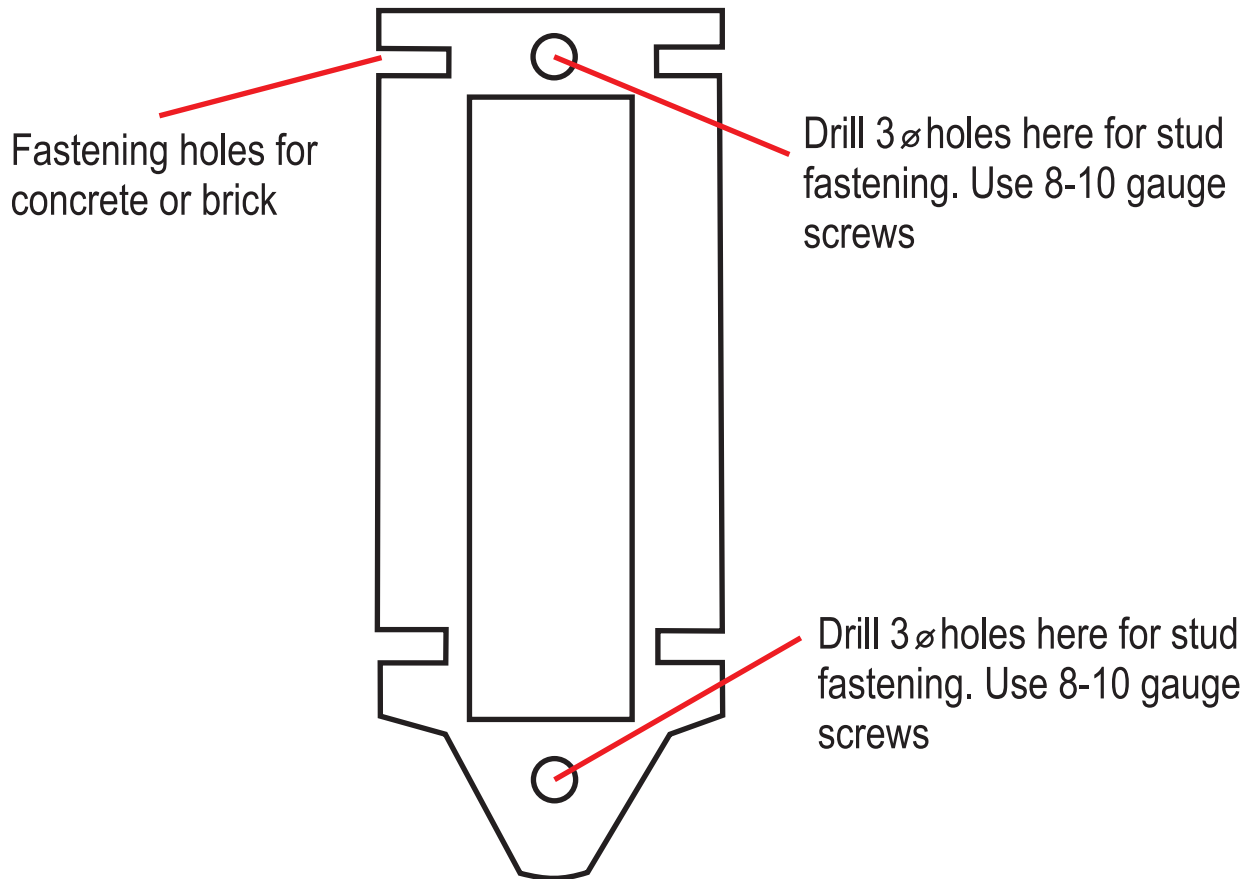


# INSTRUCTIONS



Drill pilot hole. Insert wall anchor as needed.  
Position bracket directly into wood studs.

